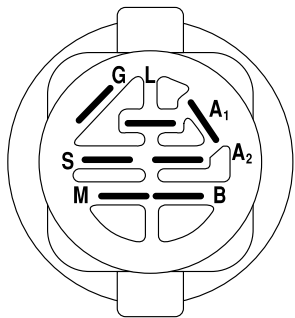
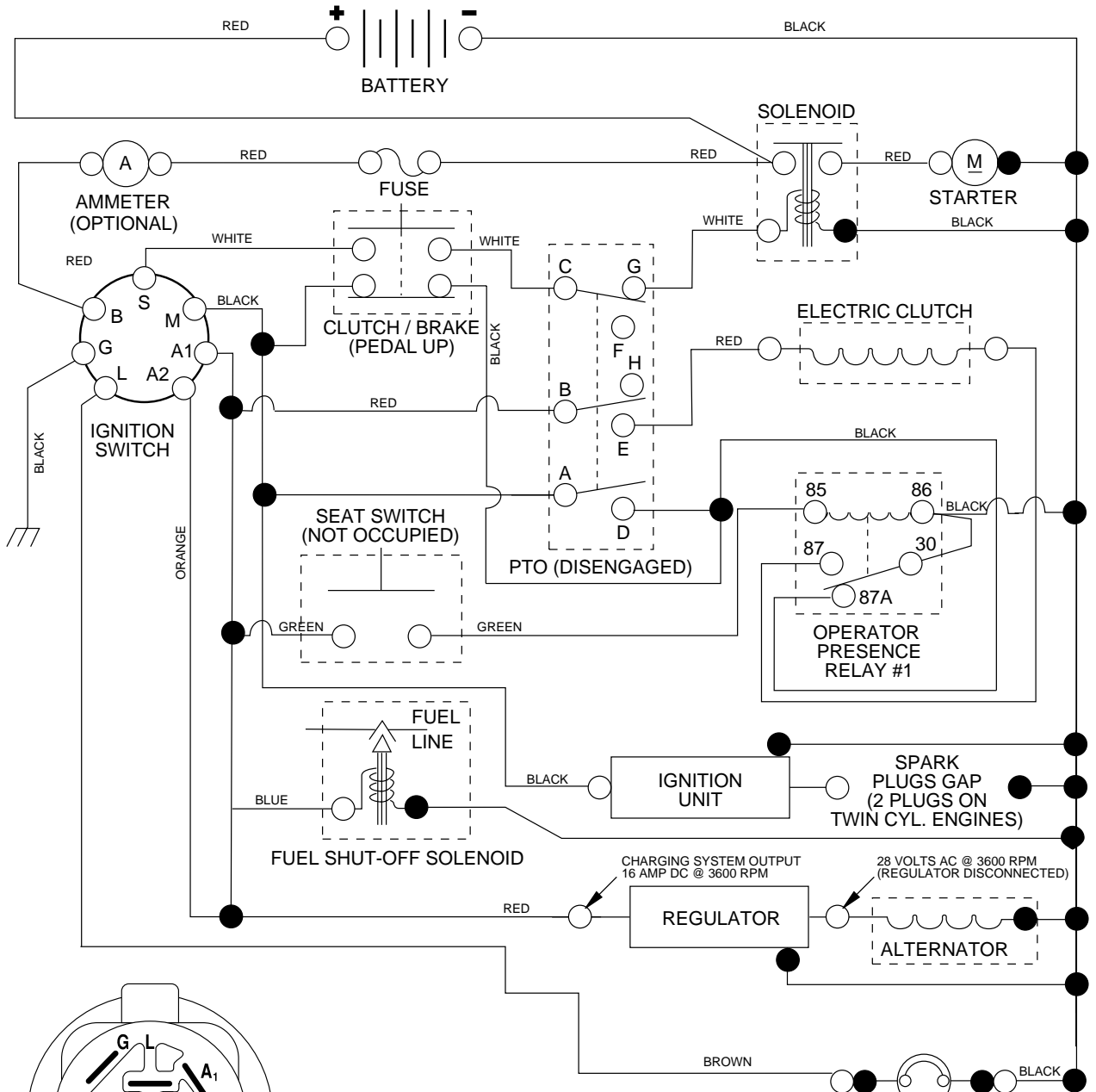


# LT 18 A

Spare parts  
Ersatzteile  
Pièces détachées  
Reserve onderdelen  
Repuestos  
Reservdelar

# TRACTOR - MODEL NO. LT18A (JNA18H42A)

## SCHEMATIC



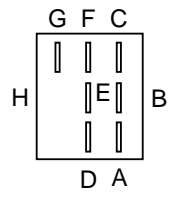
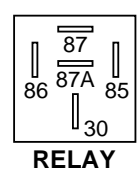
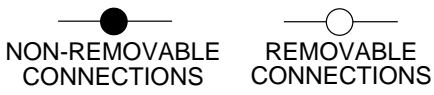
**IGNITION SWITCH**

POSITION	CIRCUIT	"MAKE"
OFF	M+G+A1	NONE
RUN/LIGHT	B+A1	A2+L
RUN	B+A1	NONE
START	B + S + A1	NONE

**WIRING INSULATED CLIPS**  
**NOTE:** IF WIRING INSULATED CLIPS WERE REMOVED FOR SERVICING OF UNIT, THEY SHOULD BE REPLACED TO PROPERLY SECURE YOUR WIRING.

**PTO SWITCH**

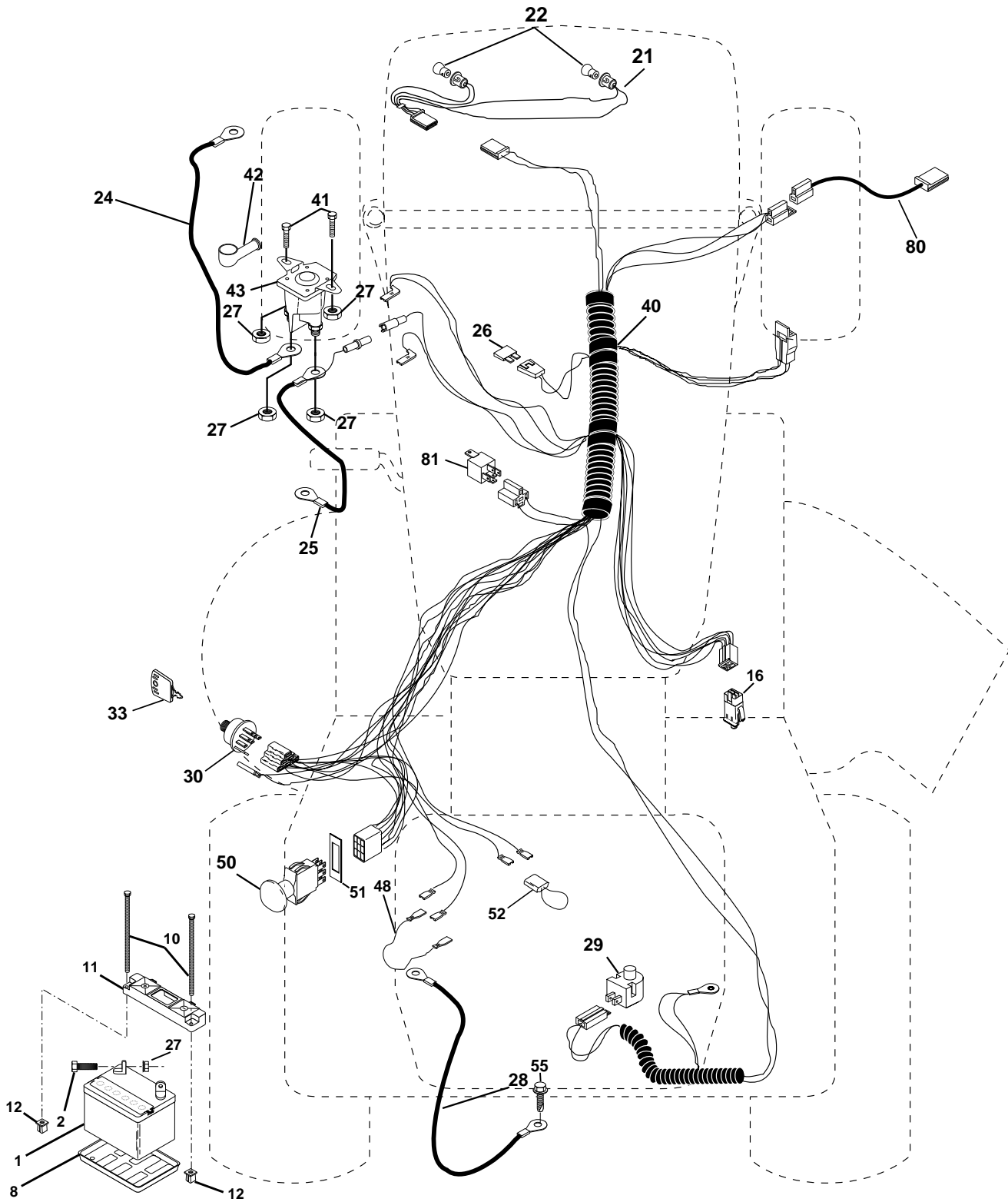
POSITION	CIRCUIT
OFF	C + G, B + H
ON	C + F, B + E, A + D



# REPAIR PARTS

## TRACTOR - MODEL NO. LT18A (JNA18H42A)

### ELECTRICAL



# REPAIR PARTS

## TRACTOR - MODEL NO. LT18A (JNA18H42A)

### ELECTRICAL

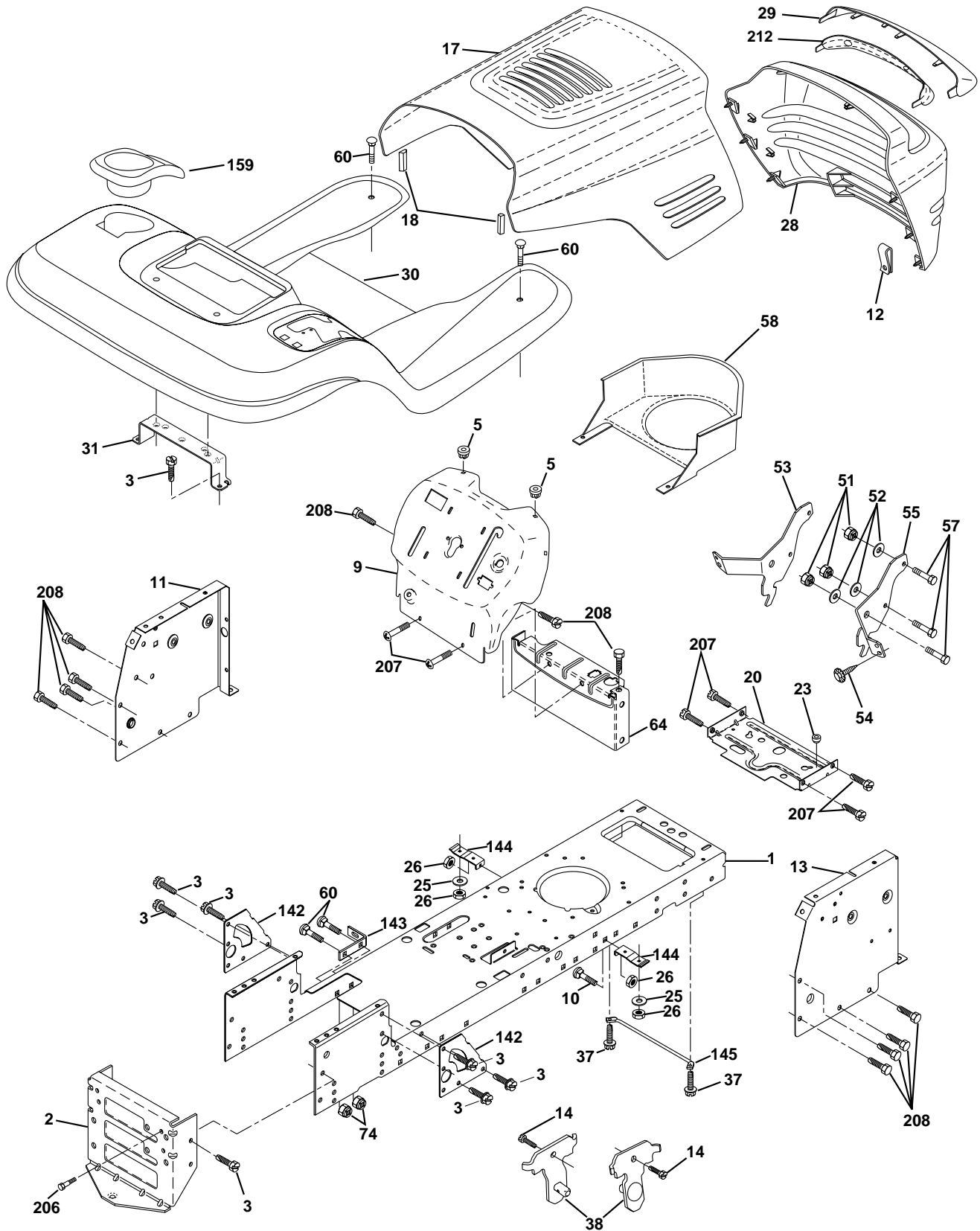
KEY NO.	PART NO.	DESCRIPTION
1	532163465	Battery 12 Volt 28 AMP
2	874760412	Bolt Hex Hd 1/4-20unc X 3/4
8	532007603	Battery Tray
10	532145211	Bolt 1/4-20 x 7.5
11	532150109	Hold Down Battery
12	532145769	Nut Push Nylon 1/4
16	532153664	Switch Interlock Push-In
21	532166181	Harness Asm Light W/4152j
22	532004152	Bulb Light #1156
24	532124780	Cable Battery 6 Ga 11" red
25	532146148	Cable Battery 6 Ga 22" red w/16 wire
26	532175158	Fuse
27	873510400	Nut Keps Hex 1/4-20 Unc
28	532145491	Cable Ground 6 Ga 21" black
29	532160784	Switch Plunger Nc Gray
30	532175566	Switch Ign
33	532140401	Key Ign Generic
40	532170222	Harness Ign.
41	871110408	Bolt Blk Fin Hex 1/4 - 20 x 1/2
42	532131563	Cover Terminal Red
43	532175141	Solenoid
48	532140844	Adapter Ammeter, Rect
50	532174651	Switch PTO
51	532140405	Ring Retainer PTO
52	532141940	Protection Wire Loop
55	817490508	Screw 5/16-18 x 1/2
80	532146685	Harness Clutch Evx
81	532109748	Relay Asm.

**NOTE:** All component dimensions given in U.S. inches.  
1 inch = 25.4 mm.

# REPAIR PARTS

## TRACTOR - MODEL NO. LT18A (JNA18H42A)

### CHASSIS AND ENCLOSURES



# REPAIR PARTS

## TRACTOR - MODEL NO. LT18A (JNA18H42A)

### CHASSIS AND ENCLOSURES

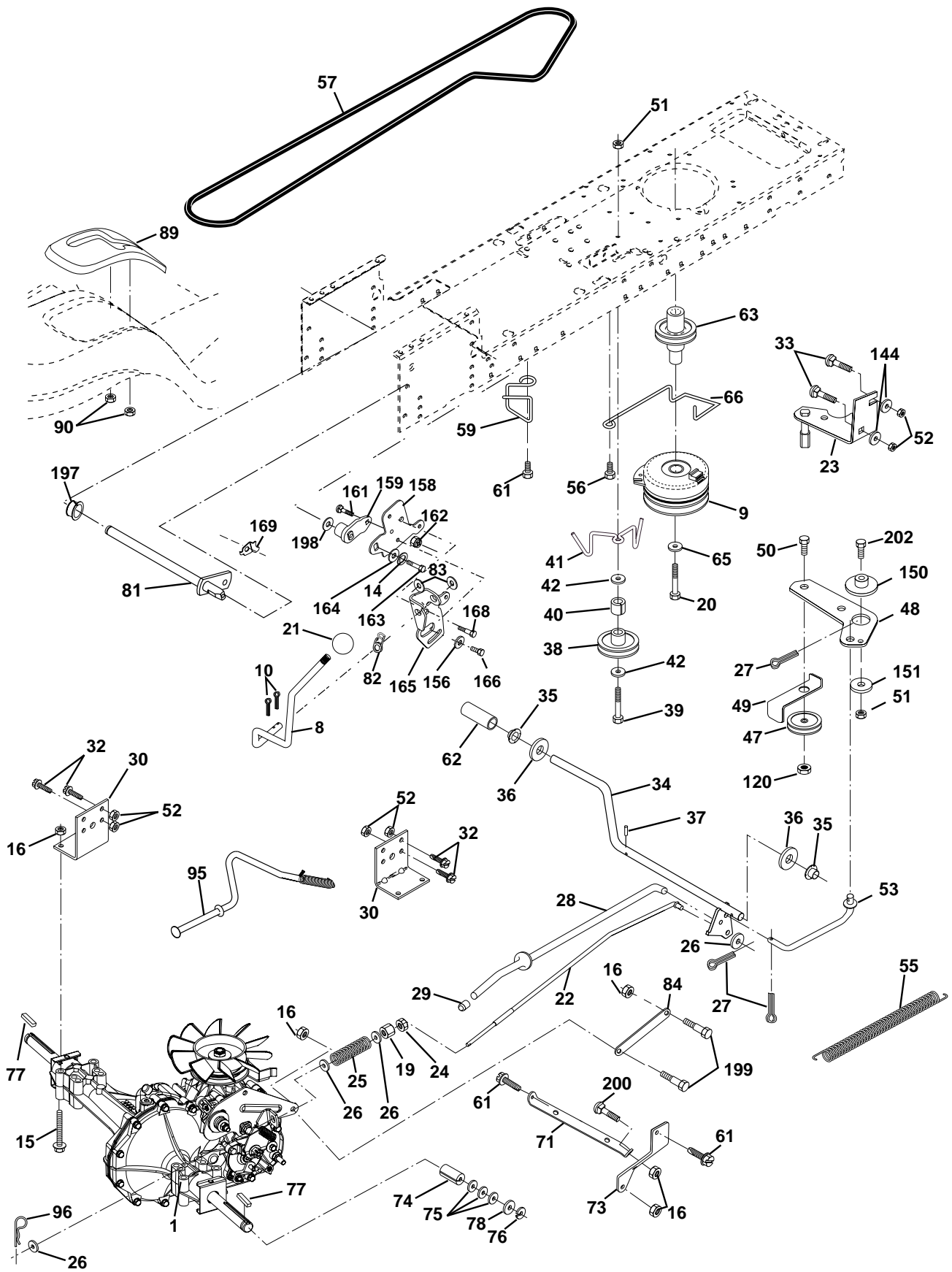
KEY NO.	PART NO.	DESCRIPTION
1	532174619	Chassis stamping
2	532176554	Drawbar, 12 Ga.
3	817060612	Screw 3/8-16x3/4
5	532155272	Bumper Hood/Dash
9	532172294	Dash Slkscr
10	872140608	Bolt Carriage 3/8-16 x 1
11	532155927	Panel Dash Lh
12	532145660	Clip Tinnerman
13	532172108	Panel Dash Rh
14	817490608	Screw Thdrol 3/8-16 x 1/2
17	532163557	Hood LT/PL
18	532126938	Bumper Hood
20	532156437	Plate Mtg Battery Fuel Tank Fr
23	532124028	Bushing
25	819131312	Washer 13/32 X 13/16 X 12 Ga
26	873800600	Nut Lock Hex w/Ins. 3/8-16 Unc
28	532140434	Grille/Lens Asm
29	532168154	Lens
30	532164918	Fender
31	532139976	Bracket Fender
37	817490508	Screw Thdrol 6/16-18 x 1/2 TYT
38	532175710	Bracket Asm Pivot Mower Rear
51	873800400	Nut Lock w/Insert 1/4-20 Unc
52	819091416	Washer 9/32 x 7/8 x 16 Ga.
53	532144697	Bracket Grille Lh
54	532161464	Screw Hex Wsh 8-18 x 7/8
55	532144696	Bracket Grille Rh
57	874780412	Bolt Hex 1/4-20 x 3/4
58	532174930	Air Duct Engine P/L
60	872140606	Bolt RDHD SQNK 3/8-16 Unc x 3/4
64	532154798	Dash Lower STLT
74	873680600	Nut Crownlock 3/8-16
142	532165867	Plate Reinforcement STLT
143	532154966	Bracket Swaybar Chassis
144	532154207	Bracket Footrest STLT
145	532156524	Rod Pivot Chassis/Hood
206	532170165	Bolt Shoulder 5/16-18 TT
207	817670508	Screw Thdrol 5/16-18 x 1/2
208	817670608	Screw Thdrol 3/8-16 x 1/2
212	532156229	Insert Lens Reflective

**NOTE:** All component dimensions given in U.S. inches  
1 inch = 25.4 mm

# REPAIR PARTS

## TRACTOR - MODEL NO. LT18A (JNA18H42A)

### DRIVE



# REPAIR PARTS

## TRACTOR - MODEL NO. LT18A (JNA18H42A)

### DRIVE

KEY PART NO. NO.	DESCRIPTION	KEY PART NO. NO.	DESCRIPTION
1	----- Transaxle Hydro Gr. 314-0510 (Order parts from transaxle mfg.)	61	817060612 Screw 3/8-16 x 3/4
8	532165866 Rod Shift Fender Adjust LT	62	532124872 Cover, Pedal
9	532160889 Clutch Electric	63	532175414 Pulley, Engine
10	876020416 Pin Cotter 1/8 x 1 CAD	65	810040700 Washer Lock Hvy HLCL Spr 7/16
14	810040400 Washer Lock Hvy Helical	66	532154778 Keeper Belt Engine
15	874490544 Bolt Hex 5/16-18 Gr. 5	71	532169183 Strap Torque Lh
16	873800500 Nut Lock Hex W/Ins. 5/16-18 Unc P	73	532169182 Strap Torque Rh
19	873800600 Nut Lock Hex W/Ins 3/8-16 Unc	74	532137057 Spacer, Axle
20	532150280 Bolt, Hex 7/16-20 x 4-1/4 Ga. 5	75	532121749 Washer 25/32 x 1-1/4 x 16 Ga.
21	532140845 Knob Deluxe 1/2-13 UNC BLK/BLK	76	812000001 E-Ring
22	532169498 Rod, Brake Hydro	77	532123583 Key, Square
23	532171258 Bracket Asm. Anti-Rot EVX	78	532121748 Washer 25/32 x 1-5/8 x 16 Ga
24	873350600 Nut Hex Jam 3/8-16 UNC	81	532165596 Shaft Asm Cross Tapered
25	532106888 Spring, Brake Rod	82	532123782 Spring Torsion
26	819131316 Washer	83	819171216 Washer 17/32 x 3/4 x 16 Ga.
27	876020412 Pin Cotter 1/8 x 3/4 CAD.	84	532169594 Link Transaxle
28	532175765 Rod, Parking Brake	89	532166602 Console, Hydro
29	532071673 Cap, Parking Brake	90	532124346 Nut Self Thd 1/4 Zinc
30	532169592 Bracket, Transaxle	95	532170201 Control Asm. Bypass Hydro
32	874760512 Bolt Hex Hd 5/16-18 Unc x 3/4	96	532124788 Retainer Spring 1" Zinc/Cad
33	872140506 Bolt Carriage 5/16-18 UNC x 3/4	120	873900600 Nut Lock Flg. 3/8-16
34	532175578 Shaft, Foot Pedal	144	819111016 Washer 11/32 x 5/8 x 16 Ga.
35	532120183 Bearing, Nylon	150	532175456 Bushing Bellcrank Grd Drive
36	819211616 Washer	151	819133210 Washer 13/32 x 2 x 10 Ga.
37	532124963 Pin, Roll	156	532166002 Washer Srrted 5/16 ID X 1 X .125
38	532165936 Pulley, Idler, Flat	158	532165589 Bracket Shift Mount
39	874760648 Bolt	159	532165494 Hub Tapered Flange Shift LT
40	532175461 Spacer Split	161	872140406 Bolt Rdhd Sqnk 1/4-20 x 3/4 Gr. 5
41	532175556 Keeper, Belt Idler	162	873680400 Nut Crownlock 1/4-20 Unc
42	819131312 Washer 13/32 x 13/16 x 12 Ga	163	874780416 Bolt Hex Fin 1/4-20 Unc x 1 Gr. 5
47	532127783 Pulley, Idler, V-Groove Plastic	164	819091010 Washer 5/8 x .281 x 10 Ga.
48	532154407 Bellcrank Clutch Grnd Drv Stl	165	532165623 Bracket Pivot Lever
49	532123205 Retainer, Belt Style Spring	166	532166880 Screw 5/16-18 x 5/8
50	874760624 Bolt Hex Hd 3/8-16 Unc x 1-1/2	168	532165492 Bolt Shoulder 5/16-18 x .561
51	873680600 Nut	169	532165580 Plate Fastening LT
52	873680500 Nut Crown Lock 5/16-18	197	532169613 Nyliner Snap-In 5/8" ID
53	532105710 Link, Clutch	198	532169593 Washer Nyl 7/8ID x .105 Hyd
55	532105709 Spring, Return, Clutch	199	532169612 Bolt Shoulder 5/16-18 Unc
56	817060616 Screw 3/8-16 x 1.0	200	872140508 Bolt Rdhd Sqnk 5/16-18 Unc x 1
57	532140294 V-Belt, Ground Drive	202	872110612 Bolt
59	532169691 Keeper, Center Span		

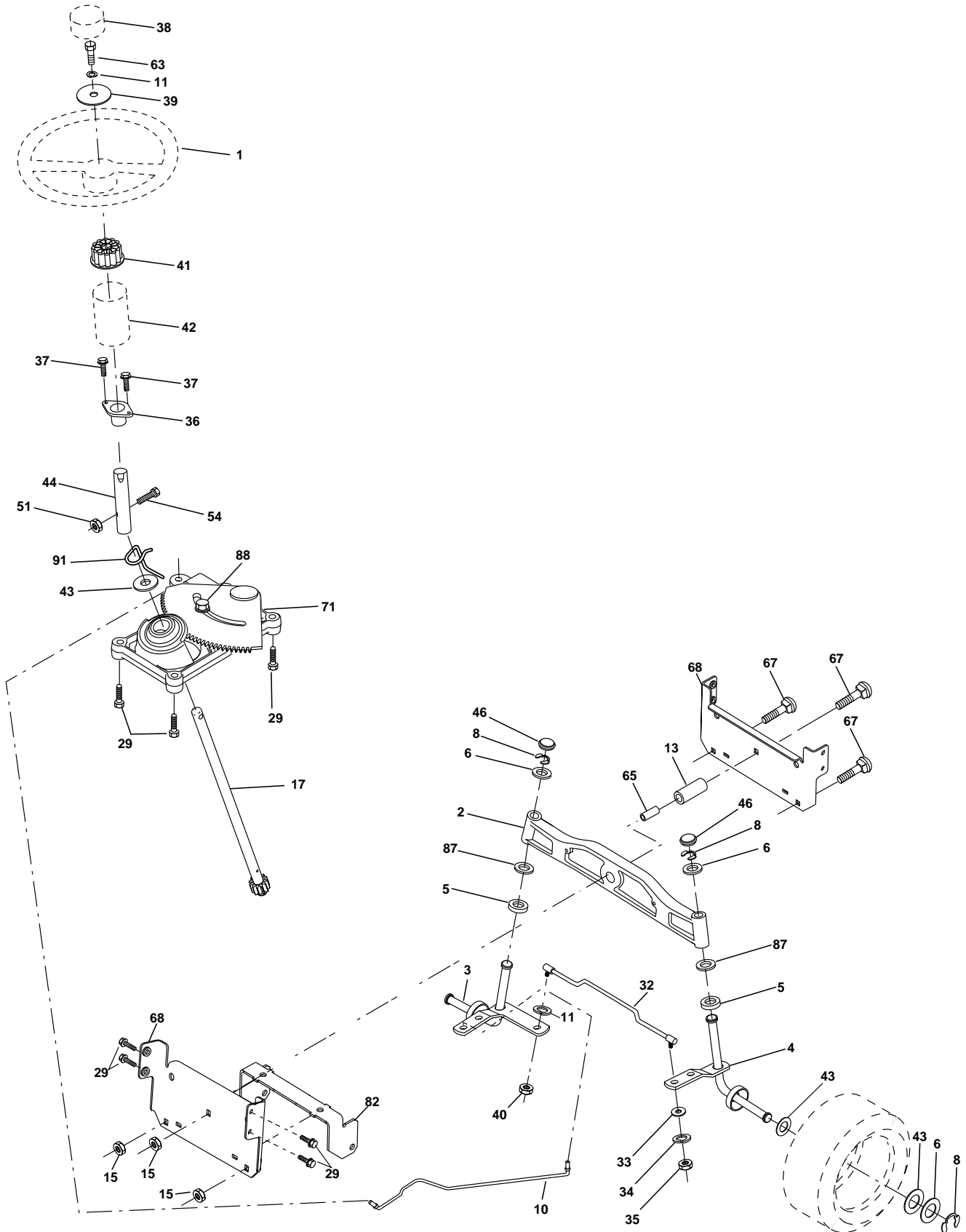
**NOTE:** All component dimensions given in U.S. inches  
1 inch = 25.4 mm



# REPAIR PARTS

## TRACTOR - MODEL NO. LT18A (JNA18H42A)

### STEERING ASSEMBLY



# REPAIR PARTS

## TRACTOR - MODEL NO. LT18A (JNA18H42A)

### STEERING ASSEMBLY

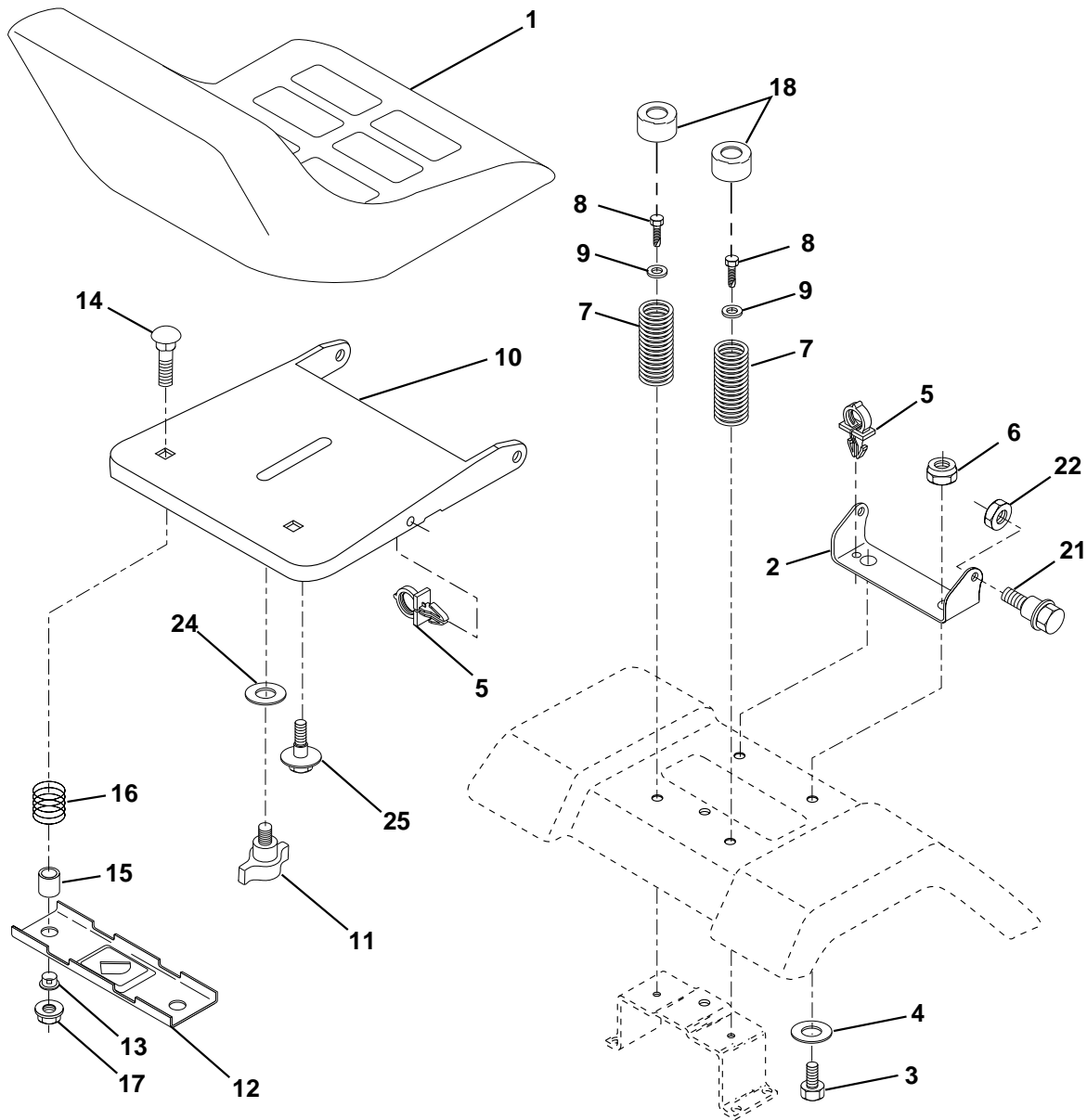
KEY NO.	PART NO.	DESCRIPTION
1	532172092	Wheel Steering
2	532172393	Axle Cast LT Machined
3	532169840	Spindle Asm Cast LH
4	532169839	Spindle Asm Cast RH
5	532124931	Bearing Race Thrust Harden
6	532121748	Washer 25/32 X 1-5/8 X 16 Ga
8	812000029	Ring Klip #t5304-75
10	532175121	Link Drag
11	810040600	Washer Lock Hvy Hlcl Spr 3/8
13	532136518	Spacer Brg Axle Front
15	532145212	Nut Hex Flange Lock Yel D
17	532177876	Shaft Asm Steering
29	817060612	Screw 3/8-16x3/4
32	532171888	Rod Tie
33	819111216	Washer 11/32 x 3/4 x 16 Ga.
34	810040500	Washer Lock Hvy. Helical 5/16 SD
35	873540600	Nut Crown Lock 5/16-24
36	532155099	Bushing Strg
37	532152927	Screw TT #32.5 x 5 x 3/8 Flange
38	532172093	Cap Wheel Steer
39	819132411	Washer 13/32 x 1-1/20 x 11 Ga.
40	532124701	Nut Lock Center 3/8-24 Unf
41	532159945	Adaptor Wheel Strg
42	532169633	Boot Dash Steering
43	532121749	Washer 25/32 X 1 1/4 X 16 Ga
44	532153720	Extension Steering Non-adjust
46	532121232	Cap Spindle Fr Top Blk
51	873800500	Nut Lock Hex W/Ins 5/16-18 UNC
54	874780520	Bolt Fin Hex 5/16-18 UNC x 1-1/4
63	874780616	Bolt Fin Hex 3/8-16 UNC x 1 Gr. 5
65	532160367	Spacer, Brace Axle
67	872140618	Bolt Rdhd 3/8-16 x 2-1/4
68	532169827	Brace, Axle
71	532175146	Steering Asm.
82	532169835	Bracket Susp Chassis Front 15"
87	532173966	Washer Flat .781 x 1-1/2 x .14
88	532175118	Bolt Shoulder 7/16-20
91	532175553	Clip, Steering

**NOTE:** All component dimensions given in U.S. inches.  
1 inch = 25.4 mm.

# REPAIR PARTS

## TRACTOR - MODEL NO. LT18A (JNA18H42A)

### SEAT ASSEMBLY



#### KEY PART NO. NO.

#### DESCRIPTION

1	532140118	Seat
2	532140551	Bracket Pivot Seat 8 720
3	871110616	Bolt Fin Hex 3/8-16unc X 1
4	819131610	Washer 13/32 X 1 X 10 Ga
5	532145006	Clip Push-In
6	873800600	Nut Hex w/Ins. 3/8-16 Unc
7	532124181	Spring Seat Cprsn 2 250 Blk Zi
8	817000616	Screw 3/8-16 X 1
9	819131614	Washer 13/32 X 1 X 14 Ga.
10	532174894	Pan Seat
11	532166369	Knob Seat Adj Wingnut
12	532121246	Bracket Mounting Switch
13	532121248	Bushing Snap Blk Nyl 50 Id

#### KEY PART NO. NO.

#### DESCRIPTION

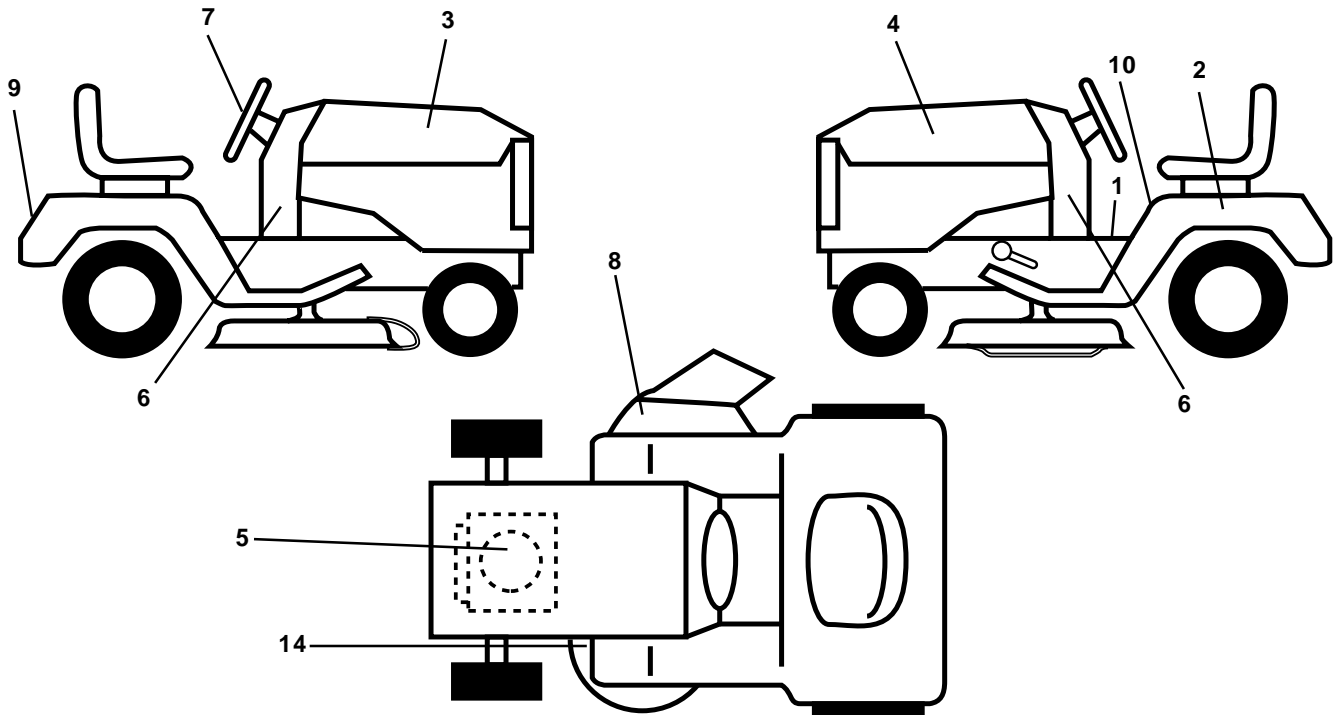
14	872050412	Bolt Rdhd Sqnk 1/4-20x1-1/2
15	532121249	Spacer Split 28 x 88 Yel Zinc
16	532123740	Spring Cprsn 1 31 Blk Pnt
17	532123976	Nut Lock 1/4 Lge Flg Gr 5 Zinc
18	532124238	Cap Spring Seat
21	532171852	Bolt Shoulder 5/16-18 Unc
22	873800500	Nut Hex Lock W/Ins 5/16-18
24	819171912	Washer 17/32 X 1-3/16 X 12 Ga.
25	532127018	Bolt Shoulder 5/16-18 X 62

**NOTE:** All component dimensions given in U.S. inches.  
1 inch = 25.4 mm

# REPAIR PARTS

## TRACTOR - MODEL NO. LT18A (JNA18H42A)

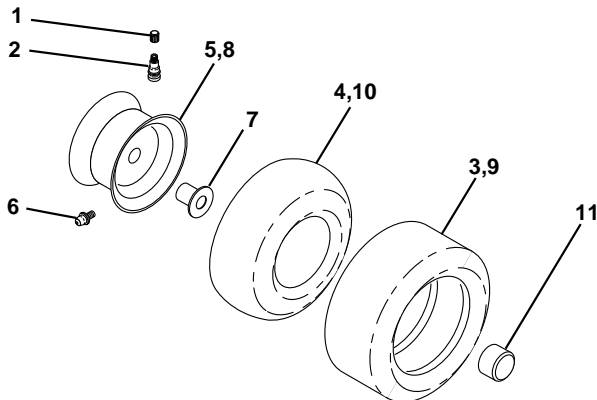
### DECALS



KEY NO.	PART NO.	DESCRIPTION
1	532157032	Decal Oper. Step Thru E/F
2	532145005	Decal Battery
3	532170706	Decal Hood RH
4	532170707	Decal Hood LH
5	532170850	Decal HP Engine
6	532162927	Decal Hood/SdPanel
7	532170565	Decal Wheel Steering
8	532170563	Decal Warning

KEY NO.	PART NO.	DESCRIPTION
9	532141761	Decal Fender
10	532157140	Decal Fender Danger E/F
14	532160396	Decal V-Belt Schematic
--	532171284	Pad Footrest
--	532171285	Pad Footrest
--	532138311	Decal Handle Lft Height Adjust
--	532169210	Decal By Pass Lt Hydro
--	532177138	Manual Owner's (English)
--	532177139	Manual Owner's (French)

### WHEELS & TIRES



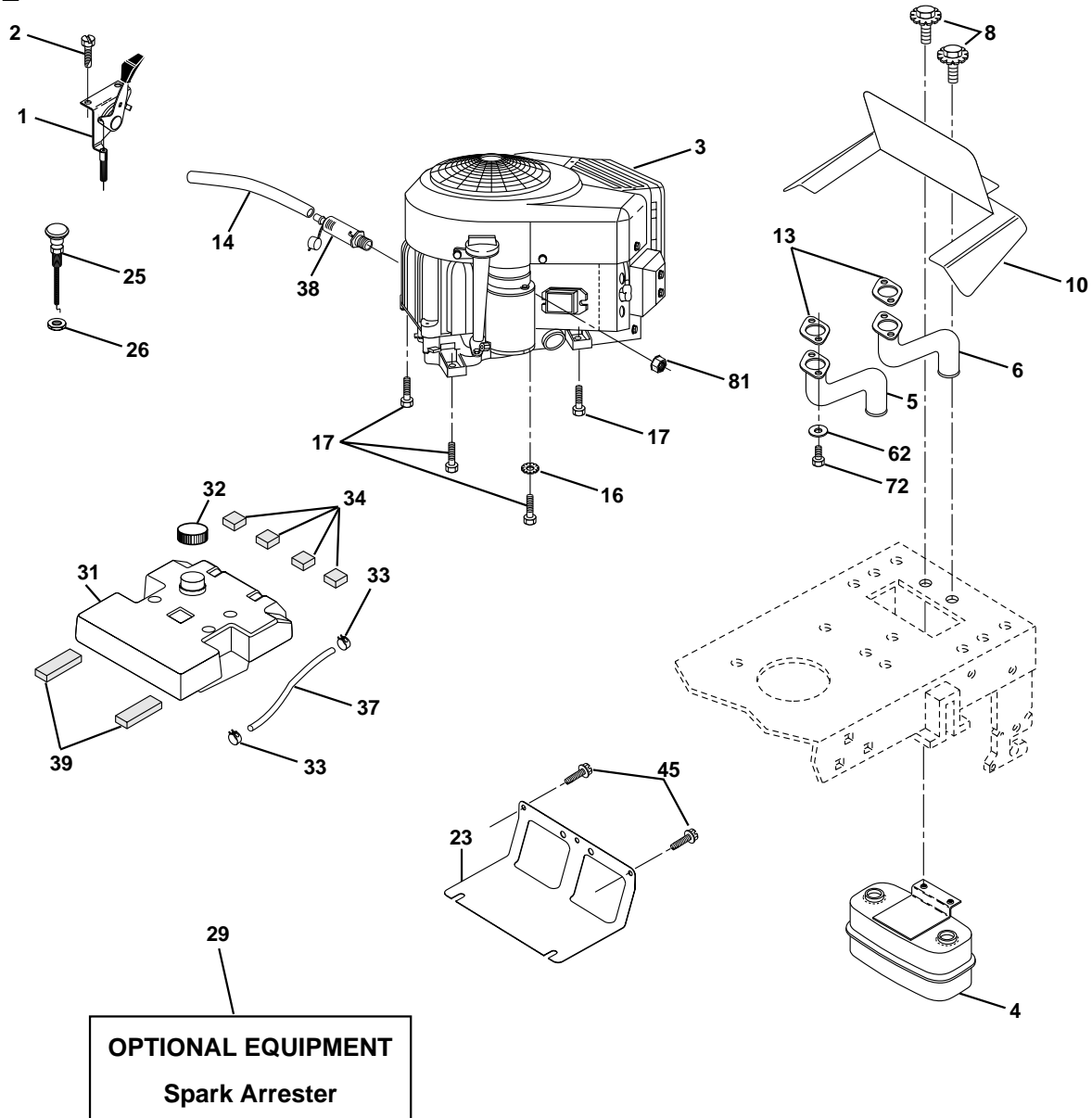
KEY NO.	PART NO.	DESCRIPTION
1	532059192	Cap Valve Tire
2	532065139	Stem Valve
3	532106222	Tire F Ts 15 X 6 0 - 6 Service
4	532059904	Tube Front (Service Item Only)
5	532138336	Rim Asm 6"front Silver Service
6	532124957	Fitting Grease (Front Wheel Only)
7	532124959	Bearing Flange (Front Wheel Only)
8	532138337	Rim Asm 8"rear Silver Service
9	532122082	Tire R Ts 20x10-8 C Service
10	532124926	Tube Rear (Service Item Only)
11	532175039	Cap Axle Blk 1 50 X 1 00
--	532144334	Sealant, Tire ( 10 oz. Tube)

**NOTE:** All component dimensions given in U.S. inches  
1 inch = 25.4 mm

# REPAIR PARTS

## TRACTOR - MODEL NO. LT18A (JNA18H42A)

### ENGINE



**OPTIONAL EQUIPMENT**  
**Spark Arrester**

KEY NO.	PART NO.	DESCRIPTION
1	532170771	Control Th/ch Flag Dom.
2	817720410	Screw Hex Thd Cut 1/4-20x5/8 T
3	-----	Engine B&S Model 407777 (Order parts from engine manufacturer)
4	532149723	Muffler
5	532160589	Exhaust Tube RH
6	532159955	Exhaust Tube LH
8	532171877	Bolt 5/16-18 Unc x 3/4
10	532162797	Shield Browning
13	532165391	Gasket
14	532148456	Tube Drain Oil Easy
16	811050600	Washer Lock Ext Tooth 3/8
17	817490624	Screw 3/8-16 x 1-1/2
23	532169837	Shield BRN/DBR Guard
25	532145996	Control Choke

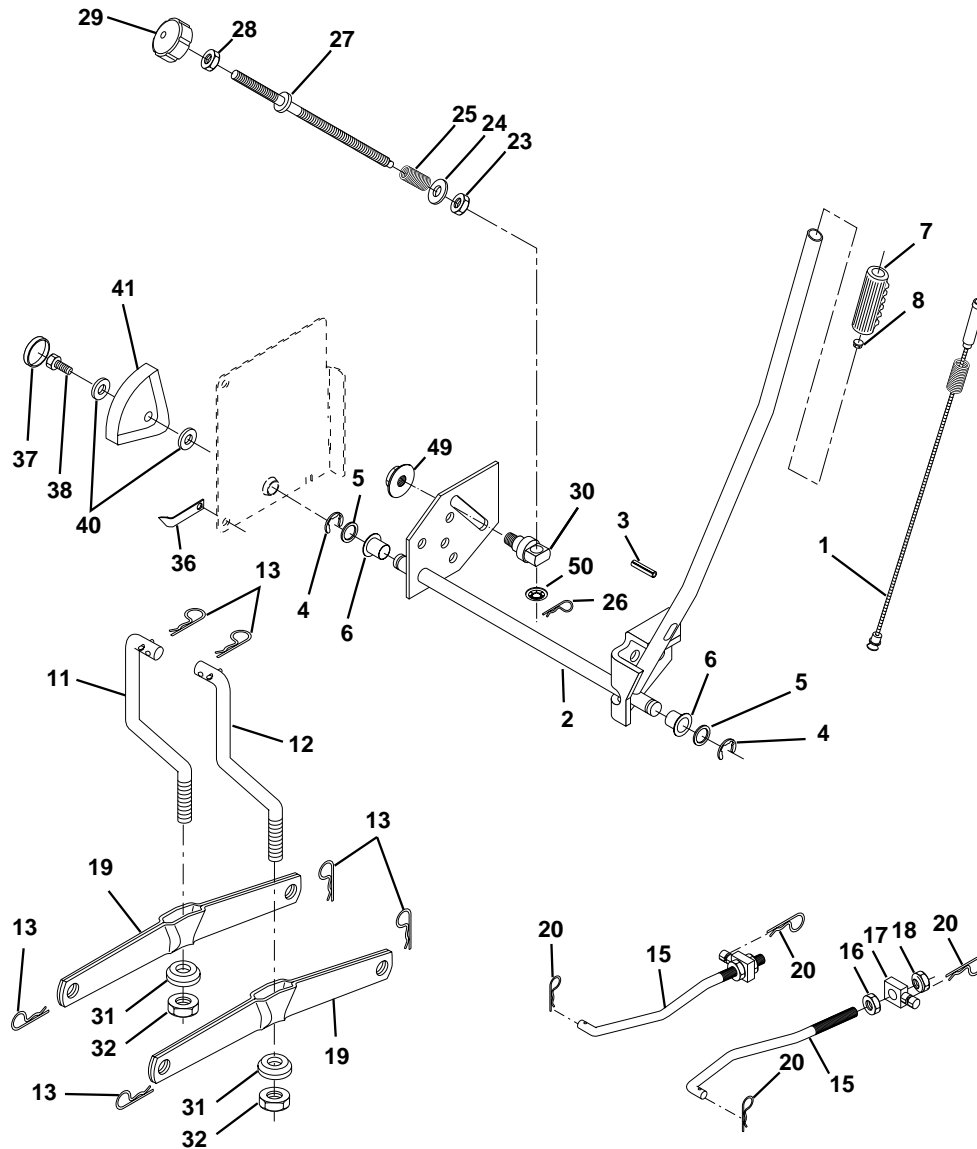
KEY NO.	PART NO.	DESCRIPTION
26	873920600	Nut Keps 3/8-24 Unf
29	532137180	Kit Spark Arrestor (Flat Scrn)
31	532157103	Tank Fuel
32	532140527	Cap Asm Fuel W/sym Vented
33	532123487	Clamp Hose Black
34	532106082	Pad Spacer 1 x 1 x 1
37	532137040	Line Fuel
38	532148315	Plug Drain Oil Easy
39	532109227	Pad 1.75 x .75 x .06
45	817000612	Screw Hex Wsh Thdrol 3/8-16 x 3/4
62	810040500	Washer Lock Hvy Hlcl Spr. 5/16
72	871070512	Screw Hex Hd Cap 5/16-18 x 3/4
81	873510400	Nut Keps Hex 1/4-20 Unc

**NOTE:** All component dimensions given in U.S. inches  
1 inch = 25.4 mm

# REPAIR PARTS

## TRACTOR - MODEL NO. LT18A (JNA18H42A)

### MOWER LIFT



KEY NO.	PART NO.	DESCRIPTION
1	532159460	Wire Asm Inner W/plunger
2	532159471	Shaft Asm Lift RH w/Inf
3	532105767	Pin Groove 1 500 Zinc
4	812000002	E Ring #5133-62
5	819211621	Washer 21/32 X 1 X 21 Ga
6	532120183	Bearing Nylon Blk 629 Id
7	532125631	Grip Handle Fluted Blk
8	532124526	Button Plunger Black
11	532139865	Link Lift LH Fixed Length
12	532139866	Link Lift RH Fixed Length
13	532124670	Retainer Spring
15	532173288	Link Front
16	873350800	Nut Jam Hex 1/2-13 Unc
17	532130171	Trunnion Blk Zinc
18	873800800	Nut Lock w/Wsh 1/2-13unc
19	532139868	Arm Suspension Rear
20	532163552	Retainer Spring
23	532110807	Nut Special

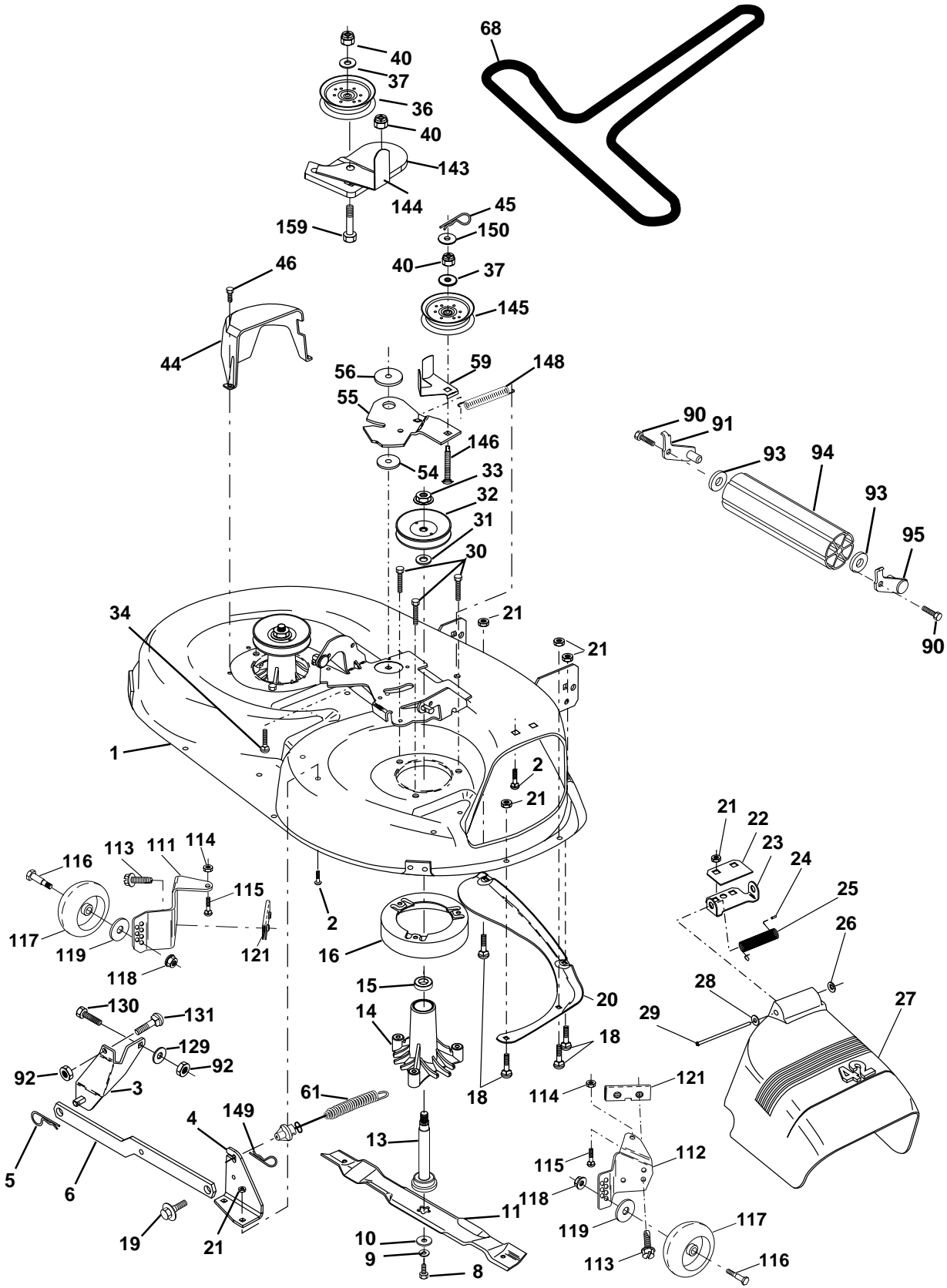
KEY NO.	PART NO.	DESCRIPTION
24	819131016	Washer 13/32 X 5/8 X 16 Ga
25	532124874	Spring 2-1/8"
26	532169484	Retainer Clip
27	532126971	Rod Adj Lift Zinc 7.49 Wrk Lg
28	873350600	Nut Hex Jam 3/8-16 Unc
29	532138057	Knob Inf 3/8-16 Unc Blk W/sym
30	532150233	Trunnion Infin Height
31	532169865	Bearing Pvt Lift
32	873540600	Nut Crownlock 3/8 - 24
36	532155097	Pointer Height Indicator
37	532123935	Plug Hole Blk 1.485/1.515 Dia.
38	817060516	Screw 5/16-18 x 1
40	819112410	Washer 11/32 x 1-1/2 10 Ga.
41	532155098	Indicator Height STLT
49	532145212	Nut Hex Flange Lock
50	532110452	Nut Phos & Oil

**NOTE:** All component dimensions given in U.S. inches  
1 inch = 25.4 mm

# REPAIR PARTS

## TRACTOR - MODEL NO. LT18A (JNA18H42A)

### MOWER DECK



# REPAIR PARTS

## TRACTOR - MODEL NO. LT18A (JNA18H42A)

### MOWER DECK

KEY NO.	PART NO.	DESCRIPTION	KEY NO.	PART NO.	DESCRIPTION
1	532165892	Mower Deck Assembly, 42"	56	532165723	Spacer, Retainer
2	872140506	Bolt	59	532141043	Guard, TUV Idler
3	532138017	Bracket Assembly, Sway Bar, Front	61	532174882	Spring Ext Elect Clutch 42" Dck
4	532165460	Bracket Sway Bar 38/42" Deck	68	532174883	V-Belt
5	532124670	Retainer Spring	90	817490612	Screw 3/8-16 x 3/4
6	532130832	Arm, Suspension, Rear	91	532175746	Bracket Asm Noseroller Lh
8	532850857	Bolt, Hex 3/8-24 x 1.25 Gr. 8	92	873800600	Nut Lock Hex w/Ins. 3/8-16 Unc
9	810030600	Washer, Lock	93	819171416	Washer 17/32 x 7/8 x 16 Ga.
10	532140296	Washer, Hardened	94	532132264	Roller Nose 38"-50"
11	532138498	Blade Mower 42" High Perf.	95	532175747	Bracket Asm Noseroller Rh
	532134149	Blade, Mulching	111	532155197	Bracket, Gauge, Wheel L.H.
13	532137645	Shaft Assembly, Mandrel, Vented	112	532155198	Bracket, Gauge, Wheel R.H.
14	532128774	Housing, Mandrel, Vented	113	817060514	Screw Tapping 5/16-18 Unc
15	532110485	Bearing, Ball, Mandrel	114	873510500	Nut, Hex, Keps 5/16-18 UNC
16	532174493	Stripper	115	872110504	Bolt, Carriage 5/16 UNC x 1/2
18	872140505	Bolt, Carriage 5/16-18 x 5/8	116	532124872	Bolt, Shoulder
19	532132827	Bolt, Shoulder	117	532165746	Wheel, Gauge
20	532159770	Baffle, Vortex	118	873930600	Nut, Centerlock 3/8-16
21	873680500	Nut Crownlock 5/16-18 UNC	119	819121414	Washer 3/8 x 7/8 x 14 Gauge
22	532134753	Stiffener Bracket	121	532143723	Bracket
23	532131267	Bracket, Deflector	129	819131312	Washer 13/32 x 13/16 x 12 Ga.
24	532105304	Cap, Sleeve	130	874780616	Bolt Fin Hex 3/8-16 Unc x 1 Gr. 5
25	532123713	Spring, Torsion, Deflector	131	872140608	Bolt RDHD Sqkn 3/8-16 Unc x 1
26	532110452	Nut, Push	143	532157109	Bracket Arm Idler 42"
27	532171859	Shield, Deflector	144	532158634	Keeper Belt 42" Clutch Cable
28	819111016	Washer 11/32 x 5/8 x 16 Ga.	145	532165888	Pulley Idler Flat
29	532131491	Rod, Hinge	146	532171977	Bolt Carriage Idler
30	532157722	Screw Thdrol Washer Head	148	532169022	Spring Return Idler
31	532129963	Washer, Spacer	149	532165898	Retainer Spring Yellow Zinc
32	532153535	Pulley, Mandrel	150	819091216	Washer 9/32 x 3/4 x 16 Ga.
33	532137266	Nut, Toplock, Flanged	159	872140614	Bolt Rdhd Sqn 3/8-16 UNC x 1- 3/4
34	872110614	Bolt RDHD 3/8-16 Unc x 3/4	--	532130794	Mandrel Assembly (Includes Key Numbers 8-10, 13-15, 31 and 32)
36	532131494	Pulley, Idler, Flat	--	532176207	Mower Deck, Complete (Standard Deck, Order Separately Noseroller and Gauge Wheel Components, Key Nos. 90-95 and 111-121)
37	819131316	Washer 13/32 x 13/16 x 16 Gauge			
40	873680600	Nut Crownlock 3/8-16 UNC			
44	532140088	Guard, Mandrel, L.H.			
45	532124788	Retainer			
46	532137729	Screw, Thd. Roll 1/4-20 x 5/8			
54	532133943	Washer, Hardened			
55	532155046	Arm, Idler			

**NOTE:** All component dimensions given in U.S. inches  
1 inch = 25.4 mm